



FX C/A

with stroke adjustment

FXS C/A

without stroke adjustment

COMMON KEY FEATURES

- ⇒ Pump flow rate control
- ⇒ PTFE diaphragm
- ⇒ Stroke frequency control 0÷100%
- ⇒ Double scale pulse frequency: 0÷100% / 0÷20%
- ⇒ Stroke length adjustment (FX)
- ⇒ Constant / ON-OFF dosing mode
- ⇒ 2 LED display status
- ⇒ ON-OFF power switch
- ⇒ Air Bleed valve for priming
- ⇒ Durable quality
- ⇒ Price effective
- ⇒ Plastic housing, reinforced Polypropylene
- ⇒ IP65 protection rating
- ⇒ models **FX-FXS C/AL** include level probe connector mPm IP66 and floating level switch.

PUMP CONTROL MODE

Constant mode: knowing the amount of additive to inject into the system, pump flow rate is adjusted via strokes frequency knob. The pump will constantly perform the dosing operation according to the flow rate selected by the selected frequency. Connected to a Remote On/Off equipment, the pump will start and stop operations according to the external contact.

Double scale adjustment: for accurate control of low output, pump pulses reduction from 0÷100% to 0÷20%

Stroke length adjustment: regulation of injection volume that combined with speed control allows top accuracy. **This feature only for FX.**

MAIN TECHNICAL FEATURES

Power supply: 230 Vac - 1 phase - 50/60 Hz / ± 5%	Power cable: 3 m grounded without plug
Upon request: 110 Vac - 60 Hz	Ambient working temperature: 45°C
Recommended stroke length adjustment: 10 ÷100%	Voltage working range: min. 207V – Max 253 V
Reproducibility under standard conditions: ± 5%	Voltage Peak: Max 270 V
Plastic housing: PP reinforced fiber glass	Protection rating: IP65 – Connector: IP66

LIQUID ENDS

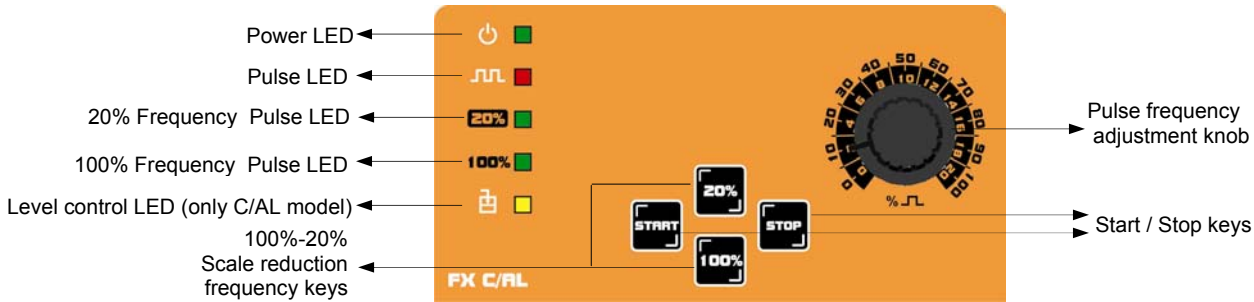
PARTS IN CONTACT WITH THE LIQUID	STANDARD VERSION	UPON REQUEST
Pump head	PP	PVC; AISI 316; PVDF ;PTFE
Diaphragm	PTFE	-----
Ball check valve	Glass Pyrex	AISI 316; Ceramic
Pump head Nipples / Hose Nut	PP	AISI 316
Seals/O-rings	FPM	EPDM
Injection Fitting	PP	AISI 316; PTFE
Foot Valve/Filter body	PP	AISI 316; PTFE
Suction Hose /Air Bleed hose	PVC	-----
Discharge Hose	PE	-----
Injection NO-Return Valve (sleeve type)	FPM	EPDM

UPON REQUEST:

Reed type “Lip” Valve	FPM (Viton ®)	EPDM (Dutral®)
Hastelloy Spring Foot ball Valve / Fitting	Hastelloy/Pyrex/PP-PVC	AISI 316; Ceramic
Hastelloy Spring Injection ball Valve / Fitting	Hastelloy/Pyrex	AISI 316; Ceramic

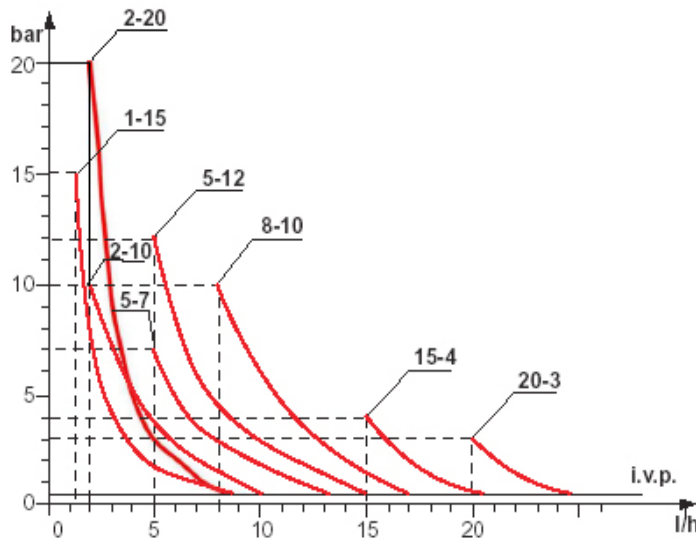
FPM=Viton® / EPDM=Dutral®: are registered trademarks of Dupont Elastomers

NOTE: pump type 20-03 pump head do not feature Air bleed valve



TECHNICAL CHARACTERISTICS

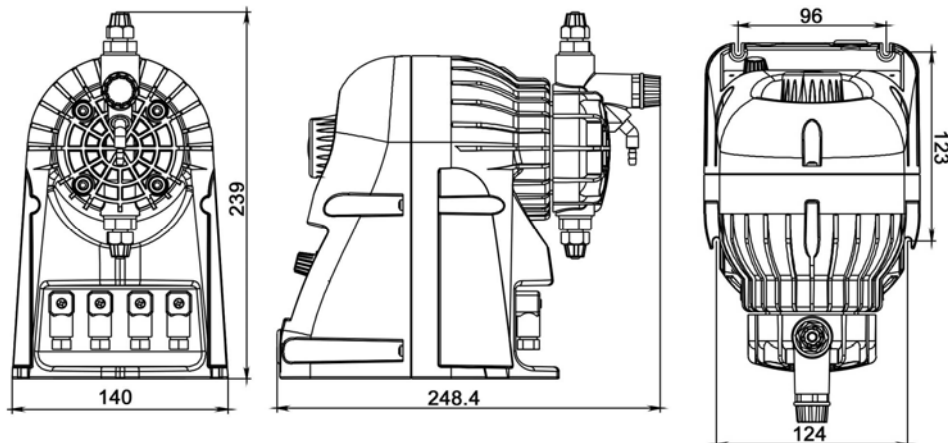
Type	Max Flow at Max Pressure		Stroke frequency per min.	Stroke volume ml (cc)	Stroke length mm	Power consumption watt	Hose size mm	Pump head model	Max suction lift m
	l/h	bar							
FX-FXS C/A									
01-15	1	15	120	0,14	0,80	37	4x6	PP 3/8"	2
02-10	2	10	120	0,28	0,80	37	4x6	PP 3/8"	2
02-20	2	20	120	0,28	1,00	58	4x6	PVC20bar 3/8"	2
05-07	5	7	120	0,69	1.00	37	4x6	PP 3/8"	2
05-12	5	12	120	0,69	1.00	58	4x6	PP 3/8"	2
08-10	8	10	120	1,11	1.40	58	4x6	PP 3/8"	2
15-04	15	4	120	2,08	2.20	58	4x6	PP 3/8"	2
20-03	20	3	120	2,77	2.20	58	4x6	PP 3/8"	2



NOTE: flow rates obtained testing the pump with medium hardness water at rated pressure, 1,5 m suction lift, room temperature

The diagrams indicate max metering pump flow variation in relation to the working pressure in the plant; the diagrams also include injection valve losses. I.V.P.

Level switch with fixing bracket for FX-FXS C/AL model (upon request)



Packing weight: 2,5±3 kg; Packing size (mm): 240x160x210

ACCESSORIES PROVIDED WITH THE PUMPS

2 m - Discharge Hose (white)	1 - Injection No-return sleeve valve
2 m - Suction Hose PVC flexible (transparent)	1 - Foot Valve/Filter
1,5 m - Air Bleed Hose PVC flexible (transparent)	1 - Level switch with fixing bracket (only for C/AL model)